



DESCRIPTION: TP104 Compatible Converter Transformers

The **TP104** of converter transformers are specifically designed for use with Maxim chipsets to provide isolated RS232 interfaces. Carefully controlled turns ratios ensure consistent performance whilst a toroidal construction minimises EMI.

FEATURES

RoHS compliant	Industrial temperature range	Isolation to 3000VDC
Industry-standard pinout	Surface mount option	UL 94 V-0 package materials
Low profile	Toroidal construction	Fully encapsulated

FEATURES

Part Number	Turn Ratio
TP104/1.1	1 : 1.1
TP104/1.5	1 : 1.5

CHARACTERISTICS

Parameter	Conditions	Min.	Typ.	Max.	Units
Primary Inductance, L _p	10kHz, 100mV	80		100	uH

ORDER CODE DETAILS

Order Code	Package Type	Packaging Type	Quantity
TP104/1.1, TP104/1.5	6 Pin SM	Tube	55
TP104/1.1-R, TP104/1.5-R	6 Pin SM	Tape & Reel	500

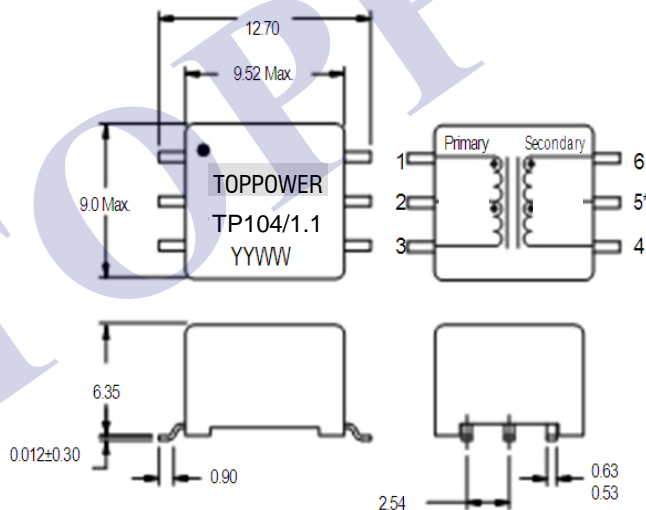
ABSOLUTE MAXIMUM RATINGS

Operating free air temperature range	-40°C to 125°C
Storage temperature range	-50°C to 150°C
Lead temperature 1.5mm from case for 10 seconds	300°C
Isolation voltage TP104/1.1, TP104/1.5 (flash tested for 1 second)	3000VDC

All specifications typical at TA=25°C

MECHANICAL DIMENSIONS

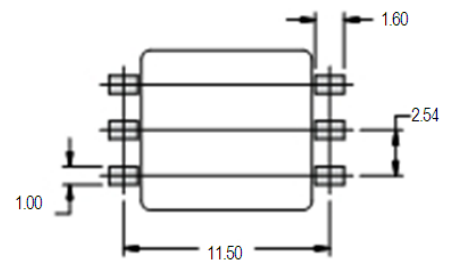
6 Pin SM



Unless otherwise stated all dimensions in inches ± 0.25 mm.
 All pins on a 2.54mm pitch and within ± 0.25 mm of true position.
 * Pin 5 is connected to secondary center tap. Package Weight 1.0g TYP.

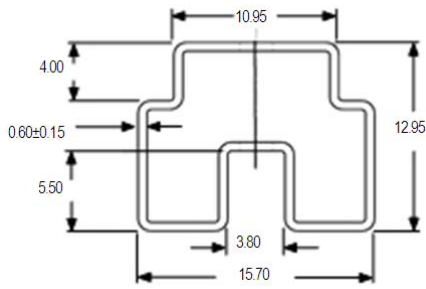
RECOMMENDED FOOTPRINT DETAILS

6 Pin SM



Unless otherwise stated all dimensions in inches (mm) ± 0.01 (0.25). All pins on a 0.1 (2.54) pitch and within ± 0.01 (0.25) of true position.

TUBE OUTLINE DIMENSIONS



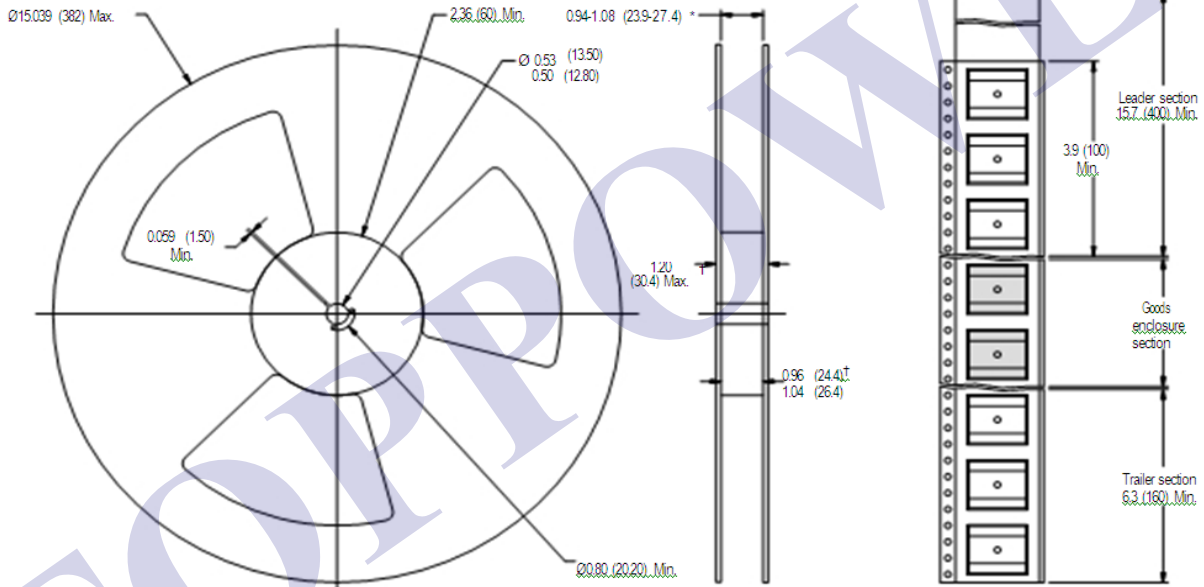
Unless otherwise stated all dimensions in inches (mm) ±0.25.
 Tube length: 18.3±0.08 (465±2).
 Tube material: Antistatic coated clear pvc.

SOLDERING INFORMATION

Pin finish	Matte tin
Peak wave solder temperature	300°C for 10 seconds
Peak reflow temperature	Max Temp 245°C, reflow time 60-90S

TAPE & REEL SPECIFICATIONS

REEL OUTLINE DIMENSIONS



Unless otherwise stated all dimensions in inches (mm) ±0.01(0.25).
 *Includes flange distortion at outer edge .t Measured at hub.

TAPE OUTLINE DIMENSIONS

